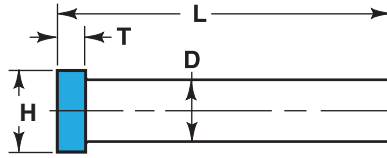
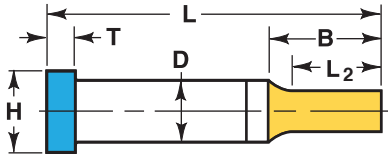


### PUNCH SKETCH TOOL

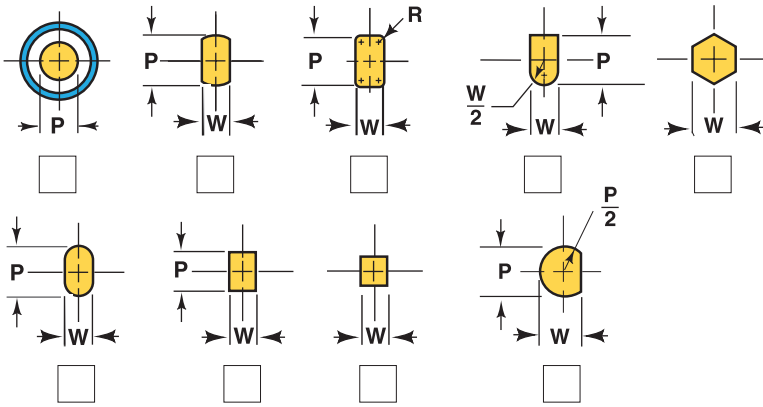
660 James Road  
Alpharetta, GA 30004  
(770) 751-7234  
(770) 751-7238 fax  
Georgia@PorterPunch.com

30 Duke Street West  
Suite #503  
Kitchener, Ontario, Canada  
N2H 3W5  
Canada@PorterPunch.com



**NON-EJECTOR**

**EJECTOR**



**P** =     **W** =     **R** =

#### Material

**D2**   
**M2**   
**PM4**   
**Other**

**D** =

**L** =

**Precision L** =   
+/- .001" / +/- .02mm

**H** =

**T** =

**Other**

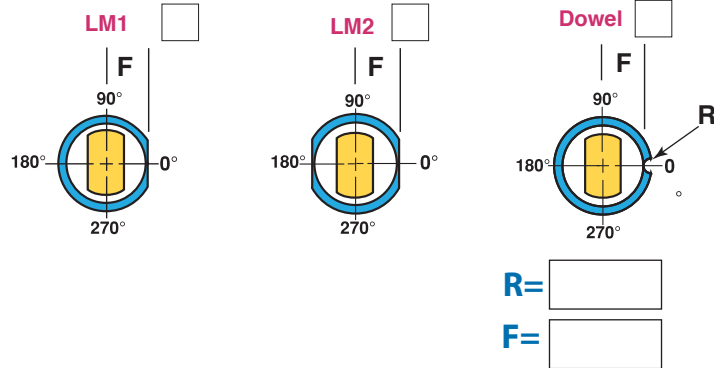
**Precision T** =   
+ .010°    +.02mm  
- .000°    -.00mm

**B** =

**OR**  
**L<sub>2</sub>** =

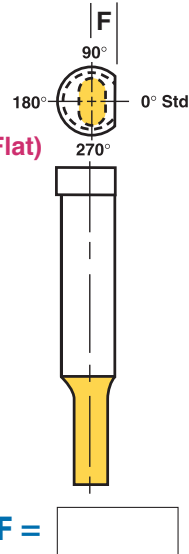
**Coating** =

#### Locating Methods



**R** =   
**F** =

**LF (Body Flat)**



**F** =

Company Name	City	State
Description (Supplied by Porter Precision Products)		
Notes and or other Alteration requests		
		Qty <input style="width: 50px;" type="text"/>