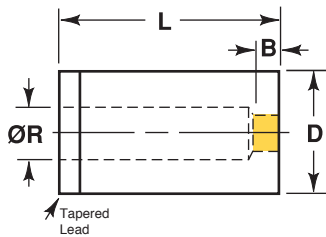
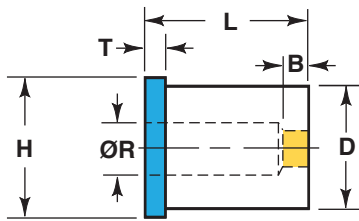


DIE BUTTON SKETCH TOOL

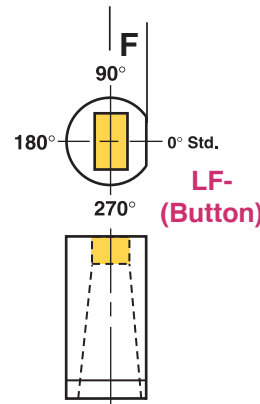
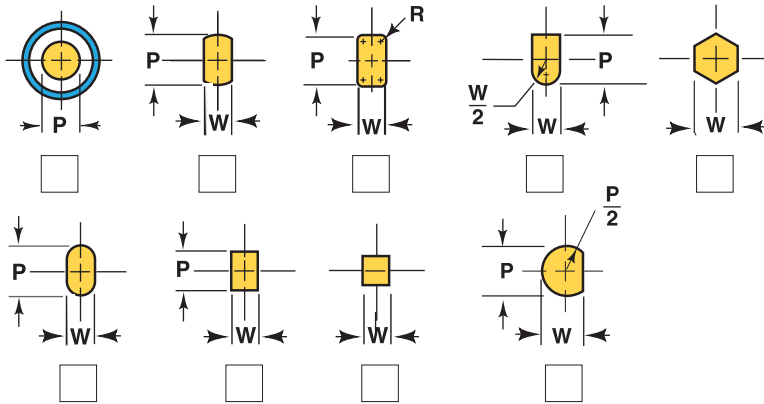
660 James Road
Alpharetta, GA 30004
(770) 751-7234
(770) 751-7238 fax
Georgia@PorterPunch.com

30 Duke Street West
Suite #503
Kitchener, Ontario, Canada
N2H 3W5
Canada@PorterPunch.com



STEP RELIEF

TAPER RELIEF



P = W = R =

F =

D =

L =

Precision L =
+/- .001" / +/- .02mm

H =

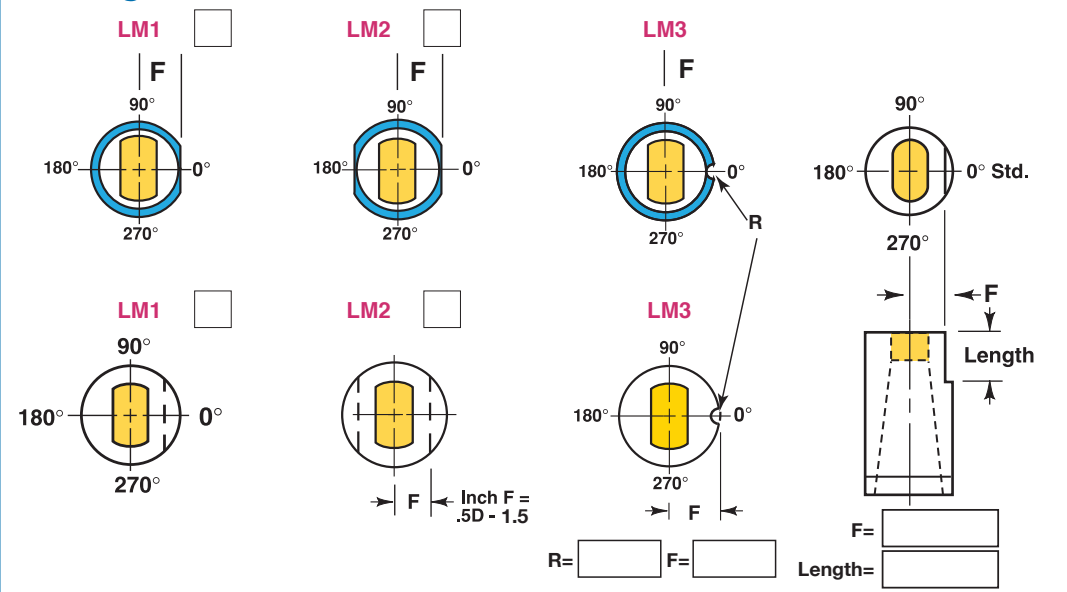
T =

Precision T =
+/- .001" / +/- .02mm

B =

Coating =

Locating Methods



Material

D2

M2

PM4

Other

Company Name	City	State
--------------	------	-------

Description (Supplied by Porter Precision Products)

Notes and or other Alteration requests

Qty