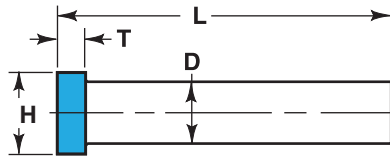
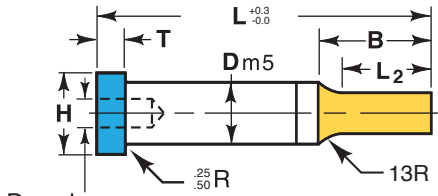


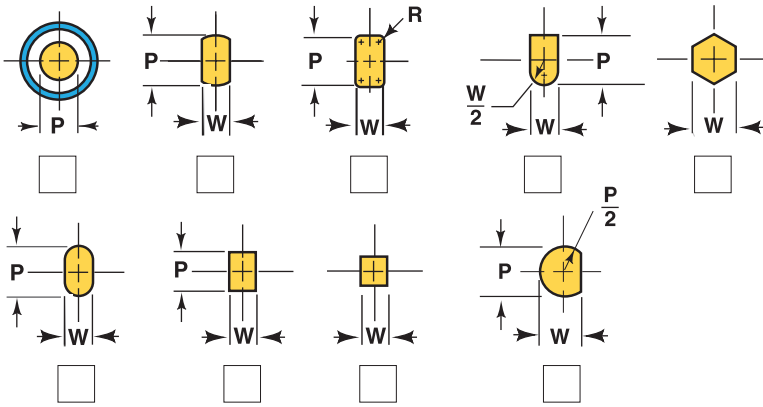
### PUNCH SKETCH TOOL

660 James Road  
Alpharetta, GA 30004  
(770) 751-7234  
(770) 751-7238 fax  
Georgia@PorterPunch.com

30 Duke Street West  
Suite #503  
Kitchener, Ontario, Canada  
N2H 3W5  
Canada@PorterPunch.com



Dowel  
6mm Dia.  
11mm Deep

 **NON-EJECTOR**
 **EJECTOR**


P =  W =  R =

### Material

D2   
M2   
PM4   
Other

D =

L =

Precision L =   
+/- .001" / +/- .02mm

H =

T =

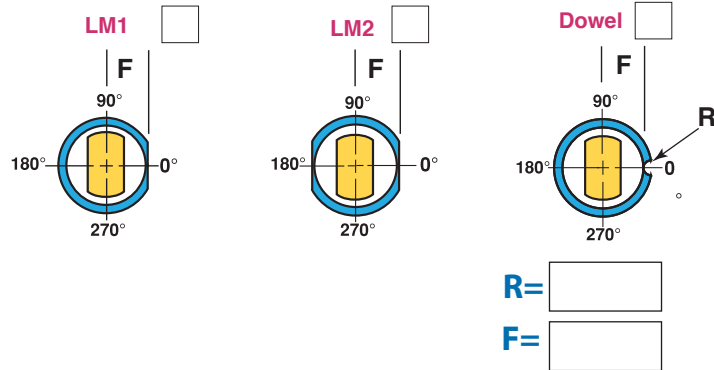
Precision T =   
+ .010" +.02mm  
- .000" -.00mm

B =

OR  
L2 =

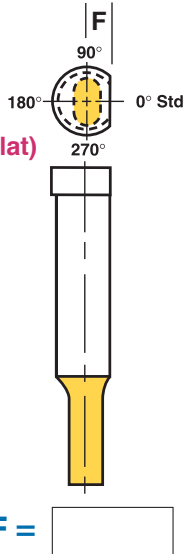
Coating =

### Locating Methods



R =   
F =

LF (Body Flat)



F =

Company Name	City	State
Description (Supplied by Porter Precision Products)		
Notes and or other Alteration requests		
		Qty <input type="text"/>